

# SILENTFLUX®

BUBBLE PUMP LIQUID COOLING

## Next Generation Technology For the Next Generation of Cooling

The SILENTFLUX passive pro cooler by Noise Limit is a next generation high performance, bubble pump liquid cooling designed for your PCs.



### Passive pro Features:

Efficient cooling capacity depending on chassis airflow  
example: TDP: 70W at +8 CFM

TDP: 130W at +30 CFM

High efficiency, parallel flow, low pressure drop condenser requires minimal airflow/no fan.

Environmentally safe, 100 percent recyclable materials

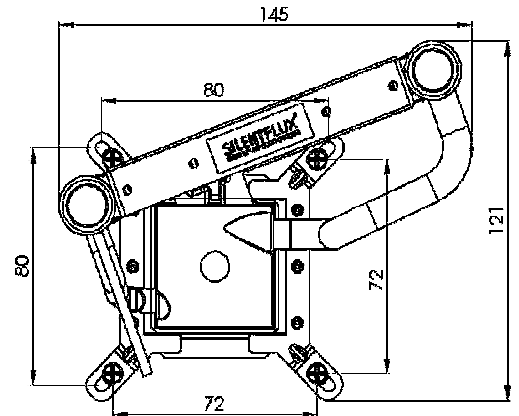
Factory-filled hermetically sealed system completely maintenance-free

**No Fan**  
**No Moving Parts**  
**Completely Silent**  
**Completely Green**  
**Maintenance free.**



### Efficient Cooling that is Simple, Proven and Reliable

The patent-pending bubble pump liquid cooling design uses heat from the CPU, which creates gas bubbles which move vapor and hot liquid through a hermetically sealed closed loop system. The bubbles force the liquid to circulate creating the action of a bubble pump. The result is a highly efficient method with a low pressure drop condenser. Any residual heat is removed by the natural internal airflow created by the chassis fan.



### Technical Specifications:

Socket types	Intel Core i7 Sockets LGA 1366, LGA 775 and LGA 1156
Typical Power Dissipation	70 W @ + 8cfm
Heat Sink Dimensions	145.4 mm x 138 mm
Heat Sink Material	Aluminium
Weight	282 g
Noise level	Zero dBA
ROHS	RoHS compliant

